



System for shaft-copying, with complete mechanical kit in proven toothed belt technology.

A smooth-running toothed belt and a vibration-resistant encoder mounting fixture ensure quiet operation. The belt pulley can be mounted directly on the encoder shaft. With the guided-belt system, the encoder mounting fixture and the measuring wheels are located on the elevator car.

Ideal for use in passenger elevators, freight elevators, automatic storage systems.



### Complete System

- Quick, easy mounting with accessories from a single source
- Reduced load on encoder bearings due to separate belt pulley-bearings
- Non-slip
- Tensioning rollers with belt guide

### Minimal noise generation

- Smooth-running toothed-belt ensures extremely quiet operation
- Vibration-free operation

### Order-No.

**8.LM3.01**

#### Encoder mounting fixture with measuring wheels for fixing on the elevator car

*consists of:*

- Encoder mounting fixture
- Measuring wheel
- Belt guide
- Belt fixing and tensioning set
- Screws and other small components

*suitable encoders:*

- Incremental encoder: 8.5000.83XX.XXXX

Calculation of pulse rate PPR =

$$\frac{300 \text{ mm}}{\text{Resolution, e.g. } 0.5 \text{ mm}} = 600$$

- Absolute encoders:

SSI: 8.5863.12XX.XXXX

CANopen: 8.5868.12XX.XXXX

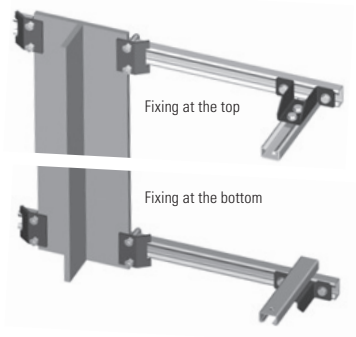


# Linear Measuring Technology

## Elevator Measuring System for Shaft-copying Encoder mounting fixture, guided-belt, LM3 max. height 28 m

### Accessories for encoder mounting fixture LM3

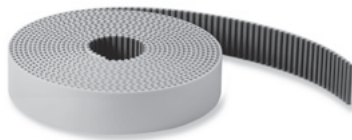
#### Fixing kit



- Complete kit consists of:
- C-rails, 700 mm
  - Bracket
  - Screws
  - Other small components

**8.BLM2.01**

#### Toothed belt



- Width 10 mm
- Polyurethane, with single parallel steel cords.
- Low belt-stretch
- High resistance to abrasive wear
- Resistant to the effects of UV radiation
- Maintenance-free
- Resistant to ageing
- Temperature range -10°C...+80°C

**05.ZAR1.XXX**

Calculation of the required length of toothed belt =  
Elevator height + approx. 5 m  
(depending on the distance between top and bottom fixing)

XXX = Length in metres  
Standard delivery lengths:  
20 m, 25 m, 30 m, 35 m, 40 m,  
45 m, 50 m, 55 m, 60 m, 70 m,  
80 m, 90 m, 100 m, 120 m,  
250 m, 300 m  
Other lengths on request

General technical data	
<b>Resolution in the shaft</b>	depends on the resolution of the encoder (e.g. incremental encoder with 3000 PPR = 0.1 mm; absolute encoder 12 x 12 bit < 0.1 mm)
<b>Elevator car speed</b>	max. 1.6 m/s
<b>Max. height of elevator</b>	28 m
<b>Effective circumference of belt pulley</b>	300 mm

#### Dimensions

