

Accessories for magnetic field sensors

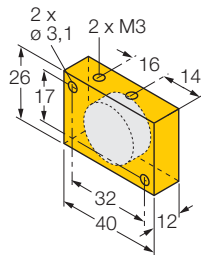


The permanent magnets are used as actuating elements for magnetic inductive proximity sensors or as positioning elements for magnetic inductive linear-position sensors. Despite the small size, they achieve larger switching distances compared to inductive sensors. They fit in narrow spaces and are ideal for difficult sensing conditions, such as hangar doors with poor guiding control.

Features

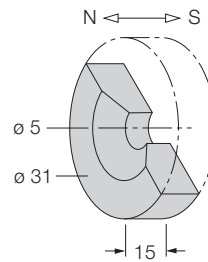
- Strontium ferrite magnets, rugged and resistant to chemicals
- Block-shaped polyamide magnet
- Switching distance up to 90 mm on BIM-(E)M12 sensors
- Switching distance up to 78 mm on BIM-EG08 sensors
- Recommended distance between magnet and WIM-Q25L positioning sensor: 3 to 5 mm

Actuating magnets



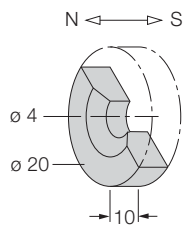
DM-Q12

Actuating magnet; block-shaped, plastic; sensing range 58 mm on BIM-(E)M12 sensors resp. 49 mm on BIM-EG08 sensors; in combination with Q25: Recommended distance between sensor and magnet: 3 ... 5 mm



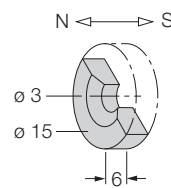
DMR31-15-5

Actuating magnet, Ø 31 mm (Ø 5 mm), h: 15 mm; sensing range 90 mm on BIM-(E)M12 sensors resp. 78 mm on BIM-EG08 sensors; in combination with Q25L: Recommended distance between sensor and magnet: 3 ... 5 mm



DMR20-10-4

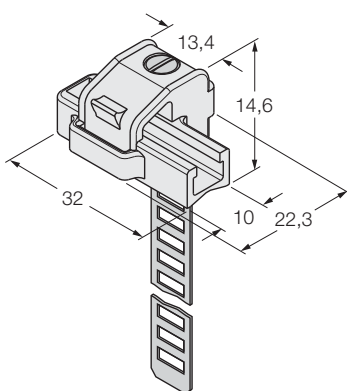
Actuating magnet; Ø 20 mm (Ø 4 mm), height 10 mm; sensing range 59 mm on BIM-(E)M12 sensors resp. 50 mm on BIM-EG08 sensors; in combination with Q25L: Recommended distance between sensor and magnet: 3 ... 4 mm



DMR15-6-3

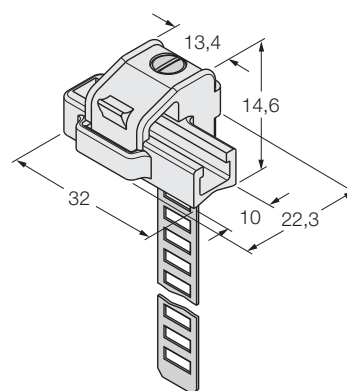
Actuating magnet, Ø 15 mm (Ø 3 mm), height 6 mm; sensing range 36 mm on BIM-(E)M12 sensors resp. 32 mm on BIM-EG08 sensors; in combination with Q25L: Recommended distance between sensor and magnet: 3 ... 4 mm

Accessories for UNT



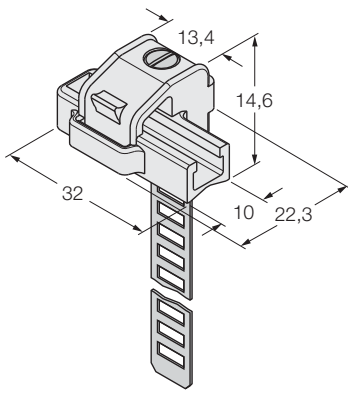
KLRC-UNT1

Mounting aid for ○ cylinders; Ø 8...25 mm; PA 6I/6T / nickel silver; fire-hazard classification acc. to UL94 - V2



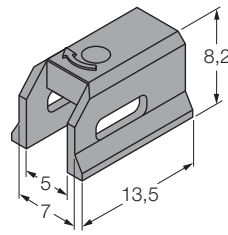
KLRC-UNT2

Mounting aid for ○ cylinders; Ø 25...63 mm; PA 6I/6T / nickel silver; fire-hazard classification acc. to UL94 - V2



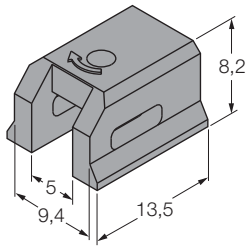
KLRC-UNT3

Mounting aid for
 ○ cylinders;
 Ø 63...130 mm;
 PA 6I/6T / nickel silver;
 fire-hazard classifica-
 tion acc. to UL94 - V2



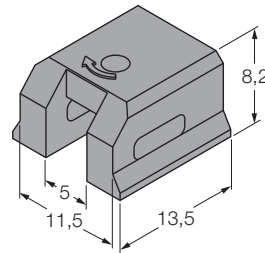
KLDT-UNT2

Mounting aid for
 □ dovetail groove
 cylinders; groove
 width 7 mm; PPS



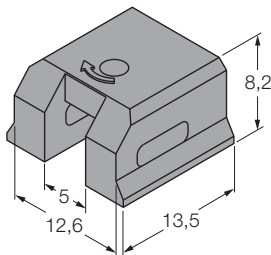
KLDT-UNT3

Mounting aid for
 □ dovetail groove
 cylinders; groove
 width 9.4 mm; PPS



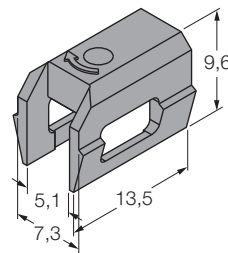
KLDT-UNT4

Mounting aid for
 □ dovetail groove
 cylinders; groove
 width 11.5 mm; PPS



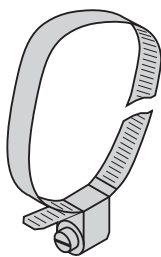
KLDT-UNT5

Mounting aid for
 □ dovetail groove
 cylinders; groove
 width 12.6 mm; PPS



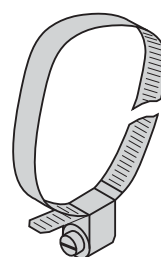
KLDT-UNT6

Mounting aid for
 □ dovetail groove
 cylinders; groove
 width 7.35 mm; PPS



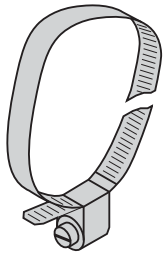
ASB-1

Clip collar to mount
 BIM-UNT in combina-
 tion with KLDT-UNT2
 on round cylinders Ø
 7...11 mm.

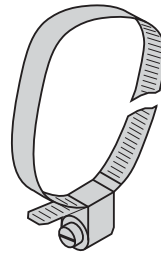


ASB-2

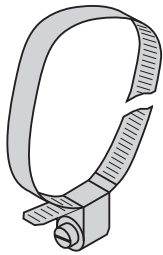
Clip collar to mount
 BIM-UNT in combina-
 tion with KLDT-UNT2
 on round cylinders Ø
 11...19 mm.



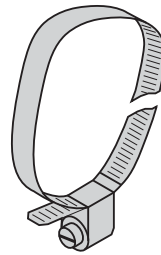
ASB-3
Clip collar to mount BIM-UNT in combination with KLDT-UNT2 on round cylinders \varnothing 18...29 mm.



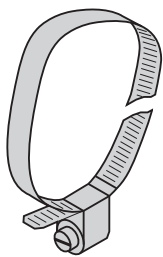
ASB-4
Clip collar to mount BIM-UNT in combination with KLDT-UNT2 on round cylinders \varnothing 28...39 mm.



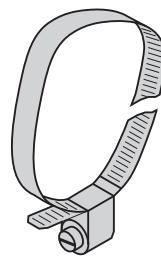
ASB-5
Clip collar to mount BIM-UNT in combination with KLDT-UNT2 on round cylinders \varnothing 38...49 mm.



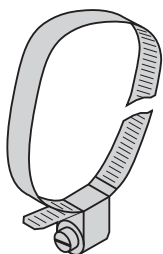
ASB-6
Clip collar to mount BIM-UNT in combination with KLDT-UNT2 on round cylinders \varnothing 48...59 mm.



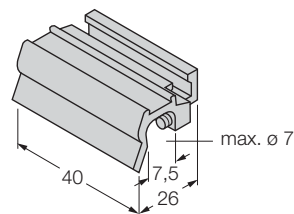
ASB-7
Clip collar to mount BIM-UNT in combination with KLDT-UNT2 on round cylinders \varnothing 58...69 mm.



ASB-8
Clip collar to mount BIM-UNT in combination with KLDT-UNT2 on round cylinders \varnothing 68...79 mm.



ASB-9
Clip collar to mount BIM-UNT in combination with KLDT-UNT2 on round cylinders \varnothing 78...89 mm.



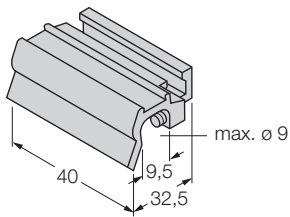
KLZ1-INT
Mounting aid for \bigcirc tie-rod cylinder \varnothing 32...40 mm; aluminium; further mounting accessories for other cylinder diameters on request

Accessories

Magnetic field sensors

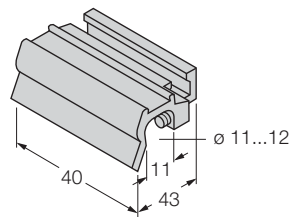
KLZ2-INT

Mounting aid for
○ tie-rod cylinder
Ø 50...63 mm;
aluminium; further
mounting accessories
for other cylinder
diameters on request



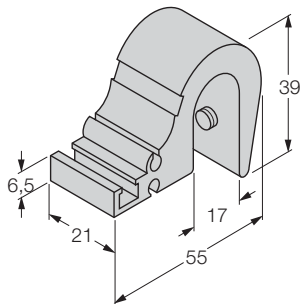
KLZ3-INT

Mounting aid for
○ tie-rod cylinder;
Ø 80...100 mm;
aluminium; further
mounting accessories
for other cylinder
diameters on request



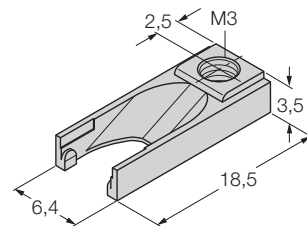
KLZ5-INT

Mounting aid for
○ tie-rod cylinder;
Ø 160...200 mm;
aluminium; further
mounting accessories
for other cylinder
diameters on request



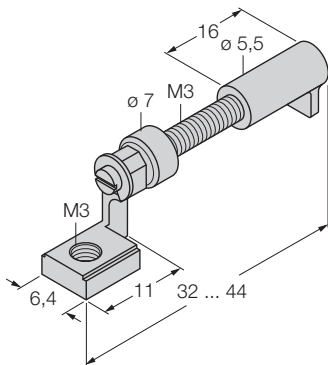
UNT-Stopper

Mounting aid for
fine-tuning of switch-
point on □ T-groove
cylinders; snap-lock
mounting in the
sensor fixture; suited
for multiple use;
plastic



UNT-Justage

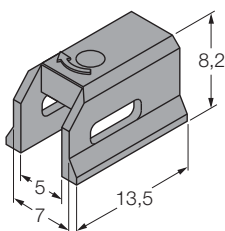
Mounting aid for
fine-tuning of switch-
point on □ T-groove
cylinders; snap-lock
mounting in the sen-
sor fixture; suited for
multiple use;
metal/plastic



Accessories for WIM

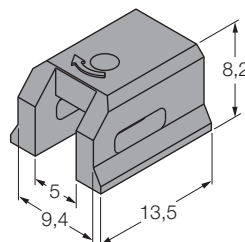
KLDT-UNT2

Mounting aid for
□ dovetail groove
cylinders; groove
width: 7 mm; PPS




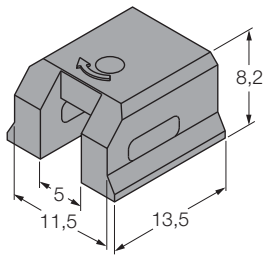
KLDT-UNT3

Mounting aid for
□ dovetail groove
cylinders; groove
width: 9.4 mm; PPS




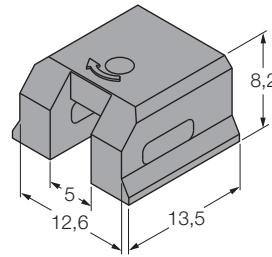
KLDT-UNT4

Mounting aid for
 dovetail groove
 cylinders; groove
 width: 11.5 mm; PPS




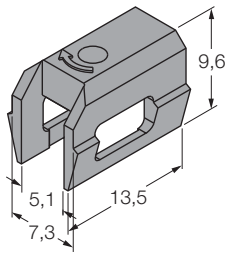
KLDT-UNT5

Mounting aid for
 dovetail groove
 cylinders; groove
 width: 12.6 mm; PPS



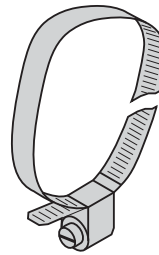
KLDT-UNT6

Mounting aid for
 dovetail groove
 cylinders; groove
 width: 7.35 mm; PPS



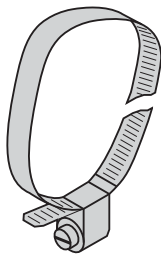
ASB-1

Clip collar to mount
 BIM-UNT in combina-
 tion with KLDT-UNT2
 on round cylinders
 Ø 7...11 mm.



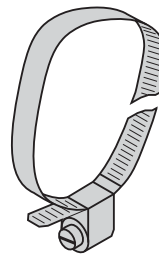
ASB-2

Clip collar to mount
 BIM-UNT in combina-
 tion with KLDT-UNT2
 on round cylinders
 Ø 11...19 mm.



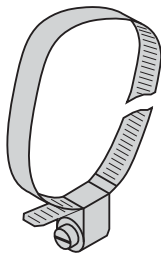
ASB-3

Clip collar to mount
 BIM-UNT in combina-
 tion with KLDT-UNT2
 on round cylinders
 Ø 18...29 mm.



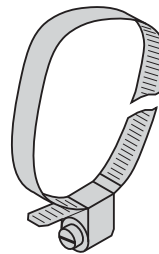
ASB-4

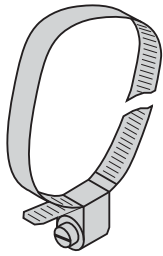
Clip collar to mount
 BIM-UNT in combina-
 tion with KLDT-UNT2
 on round cylinders
 with diameters of
 28...39 mm.



ASB-5

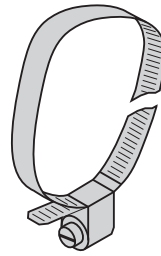
Clip collar to mount
 BIM-UNT in combina-
 tion with KLDT-UNT2
 on round cylinders
 with diameters of
 38...49 mm.





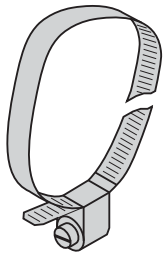
ASB-6

Clip collar to mount BIM-UNT in combination with KLDT-UNT2 on round cylinders Ø 48...59 mm.



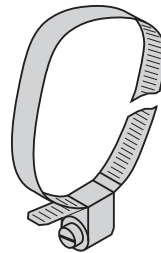
ASB-7

Clip collar to mount BIM-UNT in combination with KLDT-UNT2 on round cylinders Ø 58...69 mm.



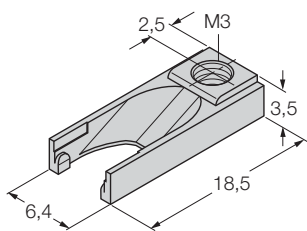
ASB-8

Clip collar to mount BIM-UNT in combination with KLDT-UNT2 on round cylinders Ø 68...79 mm.



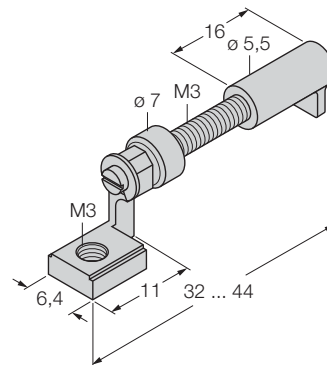
ASB-9

Clip collar to mount BIM-UNT in combination with KLDT-UNT2 on round cylinders Ø 78...89 mm.



UNT-stopper

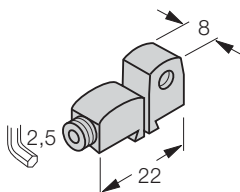
Mounting aid for fine-tuning of switch-point on T-groove cylinders; snap-lock mounting in the sensor fixture; suited for multiple use; plastic



UNT-fine adjustment

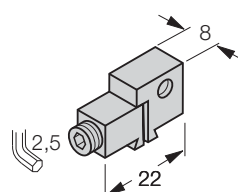
Mounting aid for fine-tuning of switch-point on T-groove cylinders; snap-lock mounting in the sensor fixture; suited for multiple use; metal/plastic

Accessories for NST



KLN 1


Clamping piece for dovetail groove cylinders or T-groove cylinders; clamping width 5.2...13.5 mm; anodized aluminium

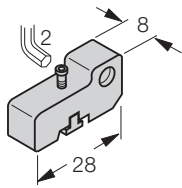


KLN 3


Clamping piece for dovetail groove cylinders or T-groove cylinders; clamping width 5.2...13.5 mm; anodized aluminium

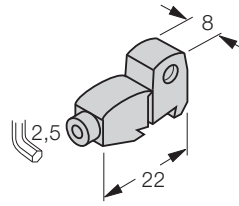
KLN-SMC

Clamping piece for
 SMC cylinders;
 clamping width 4 mm;
 anodized aluminium




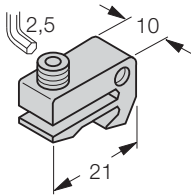
KLF 1

Clamping piece for
 external dove-
 tail grooves; for all
 cylinder diameters,
 material: Anodized
 aluminium




KLF 2

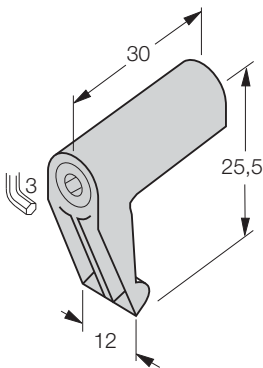
Clamping piece for
 external dovetail
 grooves (IMI Norgrem)
 or all cylinder
 diameters, anodized
 aluminium




Accessories for IKT

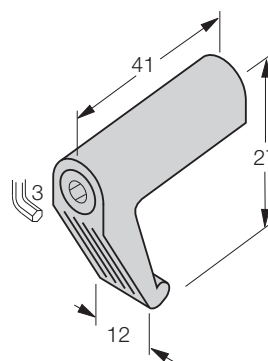
KLI 1

Clamping piece for
 tie-rod cylinders;
 Ø 32...100 mm;
 die-cast zinc




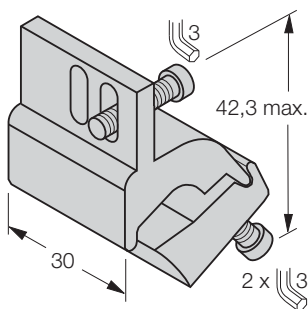
KLI 3

Clamping piece for
 tie-rod cylinders;
 Ø 63...160 mm;
 die-cast zinc




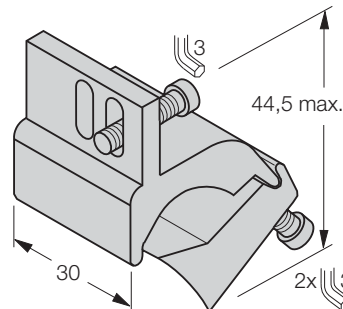
KLI 5Z

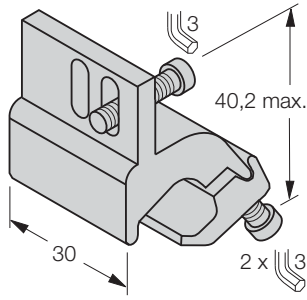
Clamping piece for
 tie-rod cylinders;
 Ø 32...63 mm;
 aluminium



KLI 6Z

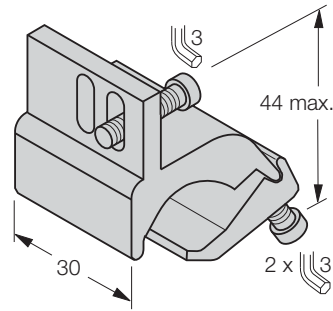
Clamping piece for
 tie-rod cylinders;
 Ø 50...125 mm;
 aluminium





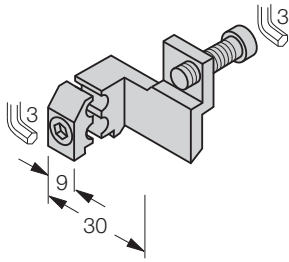
KLI 5

Clamping piece for
□ profile cylinder;
Ø 32...50 mm;
aluminium



KLI 6

Clamping piece for
□ profile cylinder;
Ø 50...100 mm;
aluminium



KLI 7

Clamping piece for
□ profile cylinder
with external dovetail
grooves; Ø 32...200
mm; aluminium

