

Accessories for pressure sensors



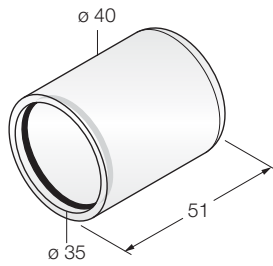
The range of accessories comprises aids for mounting, operating and protecting pressure sensors of the PK and PS series. It also includes a heat sink to reduce high ambient temperatures.

Features

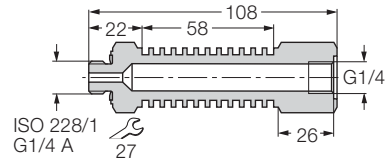
- Protective cap for the PS series
- Reduction of temperature for the PS and PT series
- Mounting accessories for the PK series

PS series

PTS-Cover
Protective cap

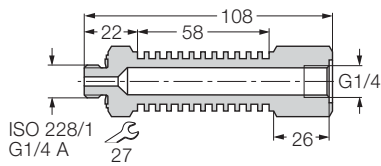


PCS-G1/4A4
Heat sink



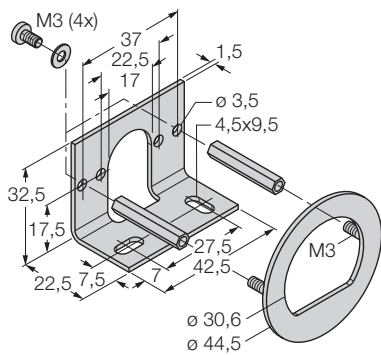
PT series

PCS-G1/4A4
Heat sink

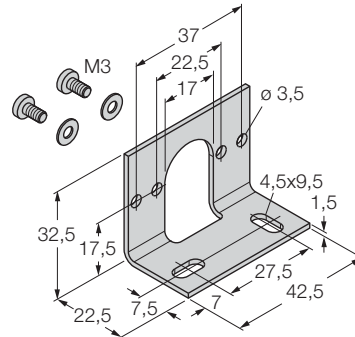


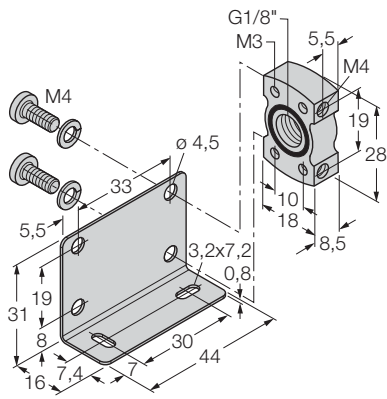
PK series

PK-N-MZ-001
Mounting kit PK-N

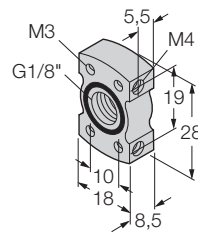


PK-N-MZ-002
Mounting kit PK-N





PK-P-MZ-001
Mounting kit PK-P



PK-P-MZ-002
Flange connection
PK-P

