



# Q20

## Industry Standard

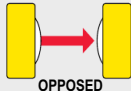
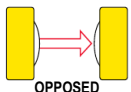
### Global Housing

The Q20 is a versatile sensor with universal rectangular housing and multiple mounting options, making it ideal for global manufacturing.

- Rated to 1200 psi for use in washdown environments
- Enhanced design for noise immunity and crosstalk avoidance
- Visible red beam for easy alignment on most models
- Cordsets and brackets see page 76

### Opposed Q20, 10-30 V DC

⇨ Infrared LED ⇨ Visible Red LED

Sensing Mode	Range	Connection	Models NPN*	Models PNP*
 <p>OPPOSED</p>	12 m	2 m	Q20E Emitter	
		4-pin Euro Pigtail QD	Q20EQ5 Emitter	
		2 m	Q20NR	Q20PR
		4-pin Euro Pigtail QD	Q20NRQ5	Q20PRQ5
 <p>OPPOSED</p>	20 m	2 m	Q20EL Emitter	
		4-pin Euro Pigtail QD	Q20ELQ5 Emitter	
		2 m	Q20NRL	Q20PRL
		4-pin Euro Pigtail QD	Q20NRLQ5	Q20PRLQ5

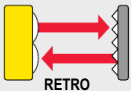



### Unfinished Can Detection Using Polar Retro Sensors

When the unfinished cans pass between the sensor and the retroreflector, the light reflected off the cans has a different polarization than the light returned by the retroreflector. As a result, the beam will be blocked by the cans and the output will be triggered.

### Retro & Polar Retro Q20, 10-30 V DC

⇨ Visible Red LED

Sensing Mode	Range	Connection	Models NPN*	Models PNP*
 <p>RETRO</p>	6 m†	2 m	Q20NLV	Q20PLV
		4-pin Euro Pigtail QD	Q20NLVQ5	Q20PLVQ5
 <p>POLAR RETRO</p>	4 m†	2 m	Q20NLP	Q20PLP
		4-pin Euro Pigtail QD	Q20NLPQ5	Q20PLPQ5

For more specifications see page 77.

**Connection options:** A model with a QD requires a mating cordset (see page 76).

For 9 m cable, add suffix **W/30** to the 2 m model number (example, **Q20E W/30**).

**QD models:**

- For a 4-pin 150 mm Pico-style pigtail QD, add suffix **Q** (example, **Q20NDQ**).
- For a 4-pin integral Pico-style QD, add suffix **Q7** (example, **Q20EQ7**).

\* Available with health or alarm mode output; contact factory at 1-888-373-6767 for details.

† Retroreflective range is specified using one model BRT-84 retroreflector. Actual sensing range may differ, depending on the efficiency and reflective area of the retroreflector used. See Accessories section for more information.

## Diffuse Q20, 10-30 V DC

Infrared LED    Visible Red LED

Sensing Mode	Range	Connection	Models NPN*	Models PNP*
DIFFUSE	250 mm	2 m 4-pin Euro Pigtail QD	Q20ND Q20NDQ5	Q20PD Q20PDQ5
DIFFUSE	800 mm	2 m 4-pin Euro Pigtail QD	Q20NDL Q20NDLQ5	Q20PDL Q20PDLQ5
DIFFUSE	1500 mm	2 m 4-pin Euro Pigtail QD	Q20NDXL Q20NDXLQ5	Q20PDXL Q20PDXLQ5

## Fixed-Field Q20, 10-30 V DC

Visible Red LED

Sensing Mode	Range	Connection	Models NPN*	Models PNP*
FIXED-FIELD	0-50 mm Cutoff	2 m 4-pin Euro Pigtail QD	Q20NFF50 Q20NFF50Q5	Q20PFF50 Q20PFF50Q5
FIXED-FIELD	0-100 mm Cutoff	2 m 4-pin Euro Pigtail QD	Q20NFF100 Q20NFF100Q5	Q20PFF100 Q20PFF100Q5
FIXED-FIELD	0-150 mm Cutoff	2 m 4-pin Euro Pigtail QD	Q20NFF150 Q20NFF150Q5	Q20PFF150 Q20PFF150Q5

For more specifications see page 77.

**Connection options:** A model with a QD requires a mating cordset (see page 76).

For 9 m cable, add suffix **W30** to the 2 m model number (example, **Q20ND W30**).

**QD models:**







- For a 4-pin 150 mm Euro-style pigtail QD, add suffix **Q5** (example, **Q20NDQ5**).
- For a 4-pin 150 mm Pico-style pigtail QD, add suffix **Q** (example, **Q20NDQ**).
- For a 4-pin integral Pico-style QD, add suffix **Q7** (example, **Q20NDQ7**).

\* Available with health or alarm mode output; contact factory at 1-888-373-6767 for details.

**Cordsets**

**Euro QD (for Q5 models)**

See page 906

Length	Threaded 4-Pin	
	Straight	Right-Angle
1.83 m	 MQDC-406	 MQDC-406RA
4.57 m	 MQDC-415	 MQDC-415RA
9.14 m	 MQDC-430	 MQDC-430RA



**Pico QD (for Q models)**


See page 904

Length	Threaded 4-Pin	
	Straight	Right-Angle
2.00 m	 PKG4M-2	 PKW4M-2
5.00 m	 PKG4M-5	 PKW4M-5
9.00 m	 PKG4M-9	 PKW4M-9

**Pico QD (for Q7 models)**

See page 904


Length	Snap-on 4-Pin	
	Straight	Right-Angle
2.00 m	 PKG4-2	 PKW4Z-2

 Additional cordset information available. See page 902.

**Brackets**

**Q20**

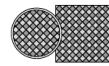
See page 870	See page 871	See page 871	See page 871
SMBQ20H	SMBQ20L	SMBQ20LV	SMBQ20U
			

 Additional bracket information available. See page 852.

**Other Accessories**

**Reflectors**

See page 932




**Apertures**

See page 958



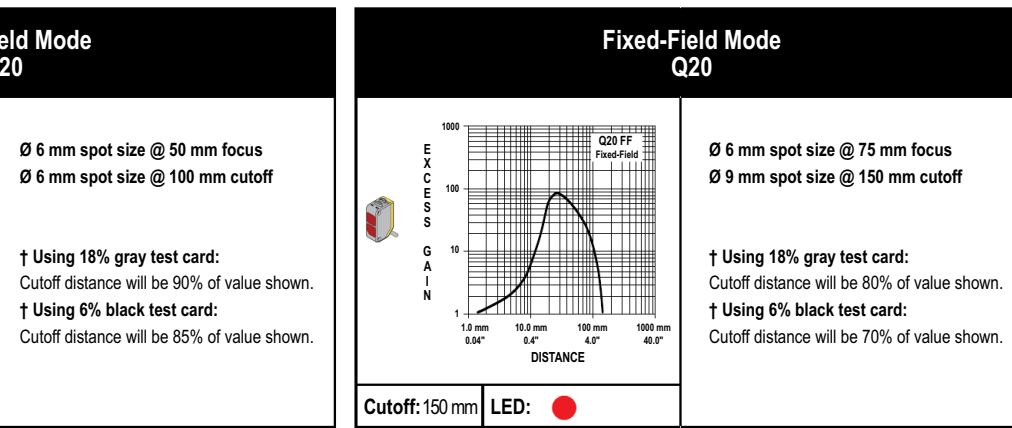
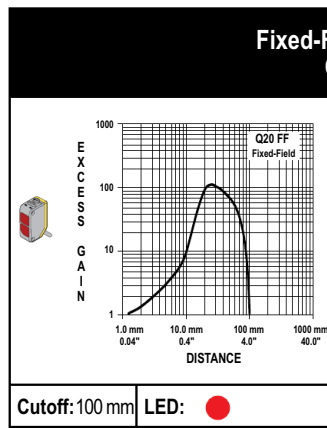
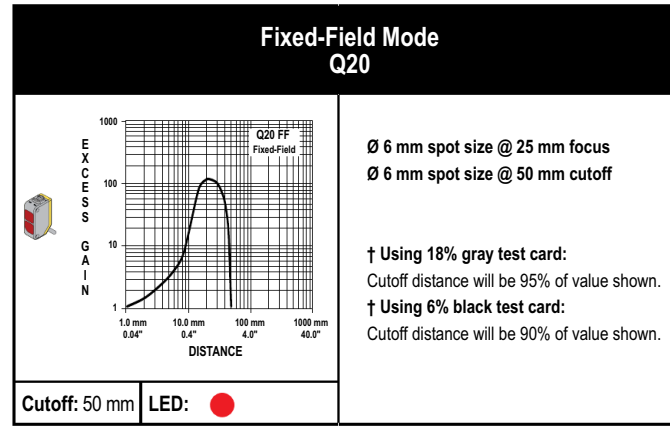
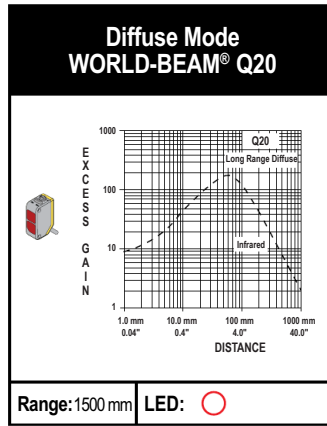
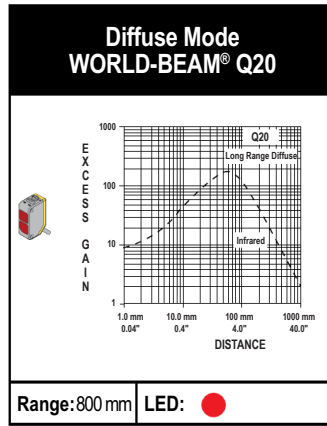
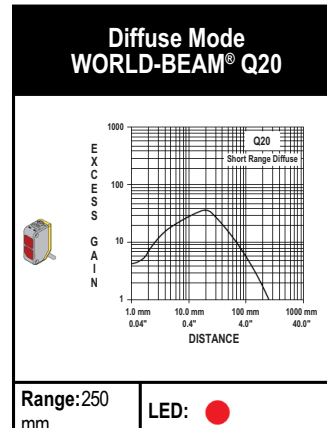
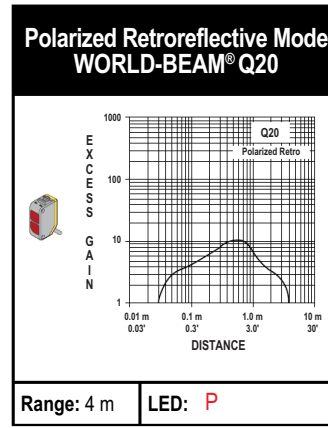
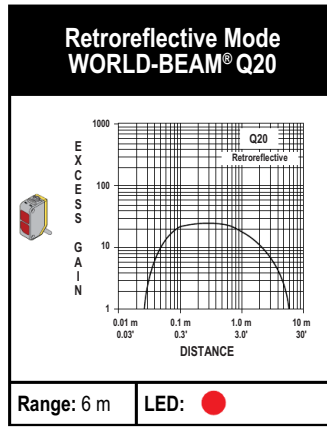
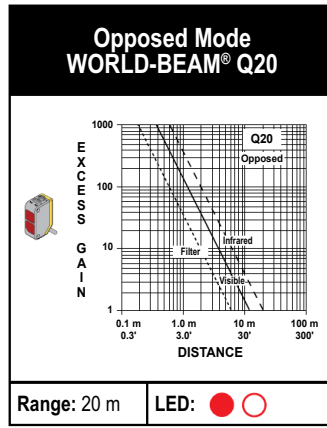
Opposed, Retroreflective, Fixed-Field and Diffuse Models  
Suffix E, EL, R, RL, LP, LV, D, DL, DXL and FF

## Q20 Specifications

<b>Supply Voltage and Current</b>	<b>Fixed-field:</b> 10 to 30 V dc (10% maximum ripple) at less than 25 mA, exclusive of load <b>All others:</b> 10 to 30 V dc (10% maximum ripple) at less than 18 mA, exclusive of load
<b>Supply Protection Circuitry</b>	Protected against reverse polarity and transient voltages
<b>Output Configuration</b>	Solid-state complementary; PNP (sourcing) or NPN (sinking), depending on model
<b>Output Rating</b>	100 mA with short circuit protection <b>OFF-state leakage current:</b> NPN: less than 200 $\mu$ A sinking                      PNP: less than 10 $\mu$ A sourcing <b>ON-state saturation voltage:</b> NPN: less than 1.6 V @ 100 mA                      PNP: less than 3.0 V @ 100 mA
<b>Output Response Time</b>	<b>Opposed:</b> 1 ms ON/600 ms OFF <b>Fixed-field:</b> 3 ms ON/1.5 ms OFF <b>All others:</b> 800 ms ON/OFF
<b>Delay at Power-up</b>	100 milliseconds; outputs do not conduct during this time
<b>Repeatability</b>	<b>Opposed:</b> 140 microseconds <b>Fixed-field:</b> 182 microseconds <b>All others:</b> 155 microseconds
<b>Adjustments</b>	<b>Diffuse, Retroreflective and Polarized Retroreflective:</b> single-turn sensitivity (Gain) adjustment potentiometer
<b>Indicators</b>	<b>Emitters:</b> Green power ON only <b>All others: Two LED Indicators:</b> Green: Power ON Yellow: Black (LO) wire conducting
<b>Construction</b>	<b>Housing:</b> ABS <b>Lenses:</b> PMMA <b>Gain Adjuster(retro and diffuse models only):</b> PBT
<b>Connections</b>	2 m or 9 m 4-wire PVC cable, 4-pin 150 mm pigtail Pico-style QD (Q), or 4-pin 150 mm pigtail Euro-style QD (Q5), or 4-pin integral Pico-style QD (Q7), depending on model. QD cordsets are ordered separately. See pages 76.
<b>Operating Conditions</b>	<b>Temperature:</b> -20° to +60° C <b>Relative humidity:</b> 95% @ 50° C (non-condensing)
<b>Environmental Rating</b>	IEC IP67; NEMA 6 and 1200 psi washdown NEMA ICS 5, Annex F-2002
<b>Vibration and Mechanical Shock</b>	All models meet Mil. Std. 202F requirements method 201A (vibration: 10 to 60 Hz max., double amplitude 0.06", maximum acceleration 10G). Also meets IEC 947-5-2: 30G 11 ms duration, half sine wave
<b>Application Note</b>	1. Opposed mode sensor spacing can be reduced by alternating emitters and receivers or by applying crosstalk filters (visible red models only). 2. NPN OFF-state leakage current is < 200 $\mu$ A for load resistances > 3 k $\Omega$ or optically isolated loads. For load currents of 100 mA, leakage is < 1% of load current.
<b>Certification</b>	

**Excess Gain Curves** (Diffuse and Fixed-Field mode performance based on 90% reflectance white test card)

○ = Infrared LED    ● = Visible Red LED    P = Visible Red LED Polarized



# Beam Patterns (Diffuse mode performance based on 90% reflectance white test card)

○ = Infrared LED    ● = Visible Red LED    P = Visible Red LED Polarized

